

Hexadecimal inverse

		Complement coded				
		C	1	2	4	8
16 P o s i t i o n s	0	●	●	●	●	●
	1	●		●	●	●
	2	●	●		●	●
	3	●			●	●
	4	●	●	●		●
	5	●		●		●
	6	●	●			●
	7	●				●
	8	●	●	●	●	
	9	●		●	●	
	A	●	●		●	
	B	●			●	
	C	●	●	●		
	D	●		●		
	E	●	●			
	F	●				

Compliance: RohS III (2015/863/EU)

Tolerances: DIN ISO-2768-1m 0.5-6: ±0.1 mm 6-30: ±0.2 mm	Date	Name
	10/08	dr
Torque	05/24	dr
Packaging	02/15	dr
Packaging	06/12	dr
Soldering conditions	10/09	dr
Material	05/09	dr
Modifications	Date	Name

**SMR 15116**

**30 16 19**

**knitter-switch**

Page

1/3

**Specifications:**

**Contact rating:** non-switching: 400mA, 42V  
switching: 100mA, 42V

**Contact resistance:** 80mOhm max.

**Insulation resistance:** 100MOhm min. at 250V DC for 1 minute +/-5sec.

**Dielectric strength:** 250V DC (50Hz/60Hz) for 1 minute

**Operating temperature:** -50°C to +125°C

**Storage temperature:** -55°C to +135°C

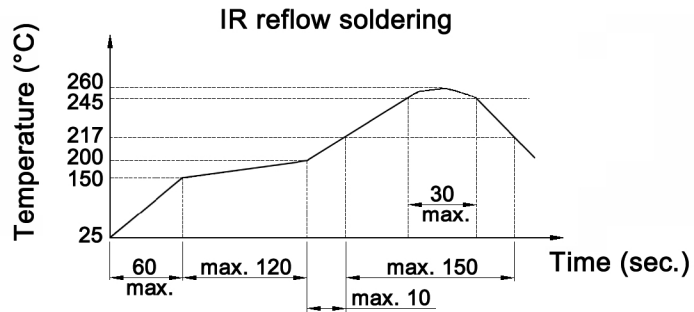
**Mechanical life:** 25 000 cycles

**Operating force:** 2.5 Ncm max.

**Material:** Cover / spring plate / guide plate: stainless steel  
Contact / terminal: phosphor bronze, min. 0.07µm gold plated over min. 0.3µm nickel  
Rotor / base: LCP, UL94V-0  
O-ring: silicone  
Actuator color: ivory

**Protection:** IP67

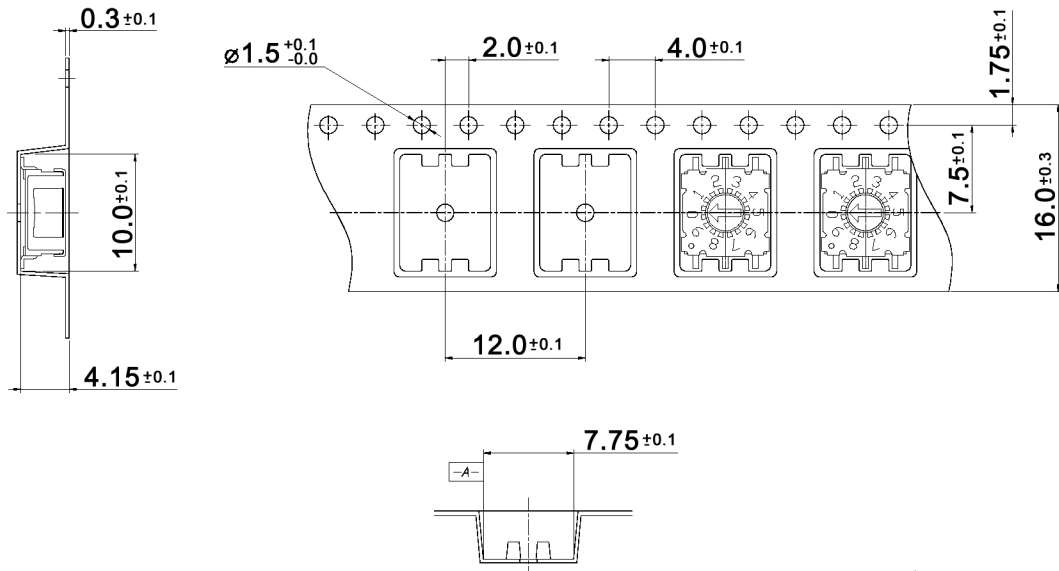
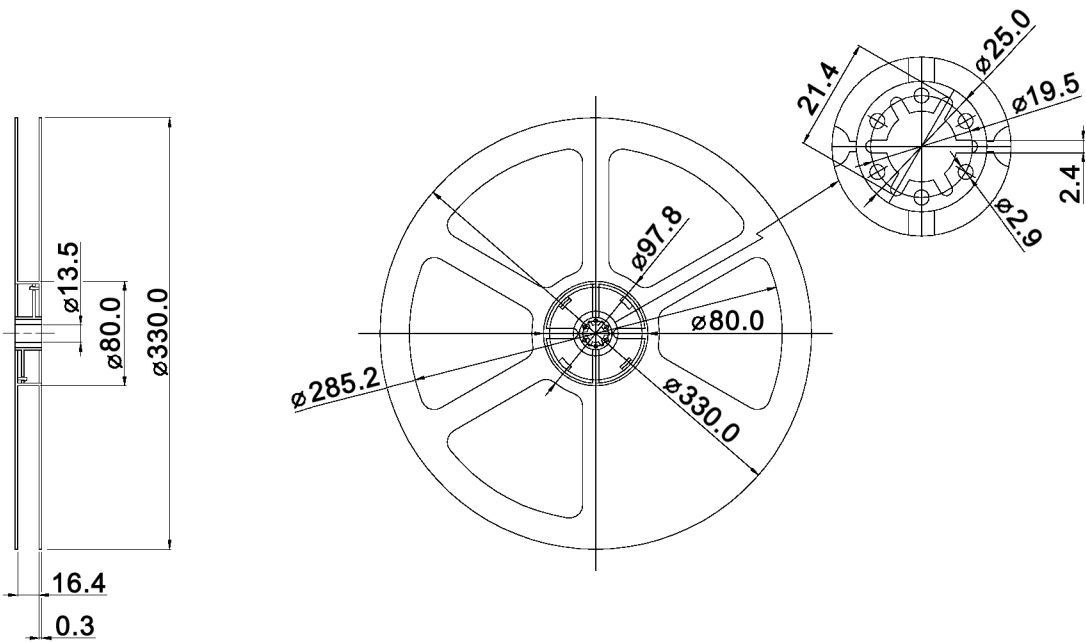
**Soldering conditions:**



**Compliance: RohS III (2015/863/EU)**

Tolerances: DIN ISO-2768-1m 0.5-6: ±0.1 mm 6-30: ±0.2 mm	Date	Name	<h1>SMR 15116</h1>
	10/08	dr	
Torque	05/24	dr	
Packaging	02/15	dr	
Packaging	06/12	dr	<h2>30 16 19</h2>
Soldering conditions	10/09	dr	
Material	05/09	dr	Page 2/3
Modifications	Date	Name	

Packaging:



Type	Packaging unit
SMR 15116	70 pcs. per stick
SMR 15116 T	1300 pcs. per reel

Tolerances on tape: ±0.20mm

Compliance: RohS III (2015/863/EU)

Tolerances:			Date	Name	<h1>SMR 15116</h1>
			10/08	dr	
Torque	05/24	dr			
Packaging	02/15	dr			
Packaging	06/12	dr			<h2>30 16 19</h2>
Soldering conditions	10/09	dr			
Material	05/09	dr			Page
Modifications	Date	Name			3/3

**knitter-switch**